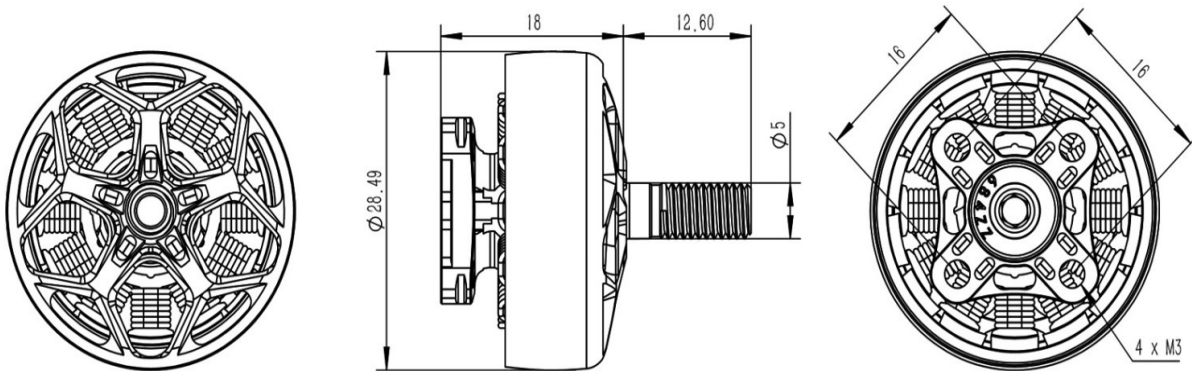


Wasp Major - 22.6-6.5 1860KV

Technical Datas

KV	1860
Configu-ration	12N14P
Stator Diamter	22.6mm
Stator Length	6.5mm
Shaft Diameter	4mm(Hollow)
Motor Dimension(Dia.*Len)	Φ 28.49*30.6mm
Weight(g)	30.5 (3cm Wire)
Idle current(10)@10V(A)	1.1
No.of Cells(Lipo)	5~6S
Max Continuous Power(W) 5S	900
Internal Resistance	64mΩ
Max Current(5S)	35A
Max.Efficiency Current	(4-8A)>87%



Prop (inch)	Voltages (V)	Throttle (%)	Load Currency (A)	Pull(g)	Power(W)	Efficiency(g/W)	Temperature(in full throttle load 5's)
HQ EthiX S4	21	50%	4.9	565	102.9	5.491	63°C
		100%	21.5	1548	451.5	3.429	
	24	50%	5.8	709	139.2	5.093	74°C
		100%	26.5	1875	636.0	2.948	
HQ EthiX S5	21	50%	5.2	605	109.2	5.540	70°C
		100%	24.8	1636	520.8	3.141	
	24	50%	6.7	775	160.8	4.820	81°C
		100%	31.6	2049	758.4	2.702	
DAL T5147.5	21	50%	4.4	556	92.4	6.017	61°C
		100%	20.7	1571	434.7	3.614	
	24	50%	5.0	689	120.0	5.742	73°C
		100%	26.2	1938	628.8	3.082	
GF 5152	21	50%	5.6	648	117.6	5.510	69°C
		100%	26.5	1635	556.5	2.938	
	24	50%	6.6	756	158.4	4.773	80°C
		100%	31.3	1879	751.2	2.501	
GF 6*4.5*2	21	50%	6.2	806	130.2	6.190	76°C
		100%	27.3	1978	573.3	3.450	
	24	50%	6.4	815	153.6	5.306	85°C(HOT)
		100%	33.3	2313	799.2	2.894	
<input checked="" type="checkbox"/> Airplane			<input type="checkbox"/> Helicopter			<input checked="" type="checkbox"/> Vtol	