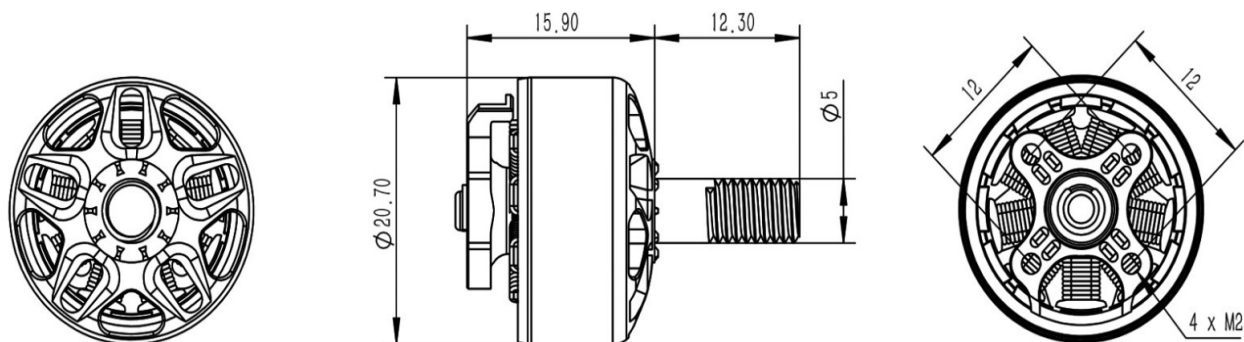


# Smoox 1507plus 2680KV

Technical Datas	
KV	2680
Configu-ration	9N12P
Stator Diamter	15mm
Stator Length	7mm
Shaft Diameter	2mm
Motor Dimension(Dia.*Len)	Φ 20.7*28.2mm
Weight(g)	16.8 (3cm Wire)
Idle current(10)@10V(A)	0.9
No.of Cells(Lipo)	4~6S
Max Continuous Power(W)3S	420
Internal Resistance	113mΩ
Max Current(3S)	19A
Max.Efficiency Current	(3-5A)>84%



Prop (inch)	Voltages (V)	Throttle (%)	Load Currency (A)	Pull(g)	Power(W)	Efficiency(g/W)	Temperature(in full throttle load 3's)
HQ 3*4*3	14.8	50%	1.8	144	26.6	5.405	58°C
		100%	7.7	411	114.0	3.607	
	22.2	50%	3.2	291	71.0	4.096	75°C
		100%	13.6	767	301.9	2.540	
GF D75	14.8	50%	2	174	29.6	5.878	57°C
		100%	7.4	431	109.5	3.935	
	22.2	50%	3.2	311	71.0	4.378	70°C
		100%	12.3	755	273.1	2.765	
HQ 4*3*3	14.8	50%	2.6	254	38.5	6.601	67°C
		100%	11.7	675	173.2	3.898	
	22.2	50%	4.4	458	97.7	4.689	85°C (Hot)
		100%	18.9	1101	419.6	2.624	
GF5125*3	14.8	50%	2.4	227	35.5	6.391	63°C
		100%	9.9	603	146.5	4.115	
	22.2	50%	3.8	409	84.4	4.848	80°C
		100%	16.9	1035	375.2	2.759	
<input checked="" type="checkbox"/> Airplane			<input type="checkbox"/> Helicopter			<input checked="" type="checkbox"/> Vtol	